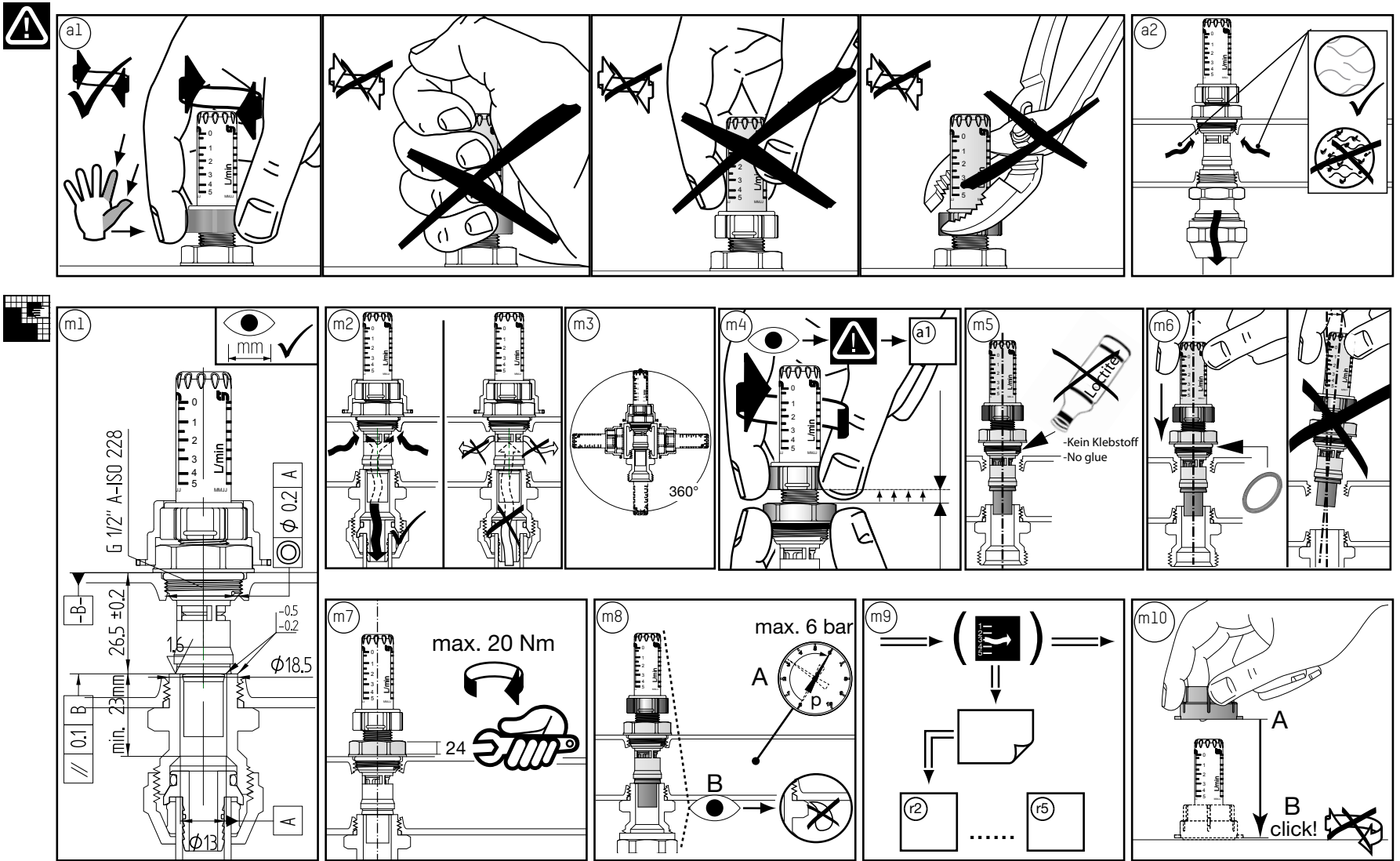
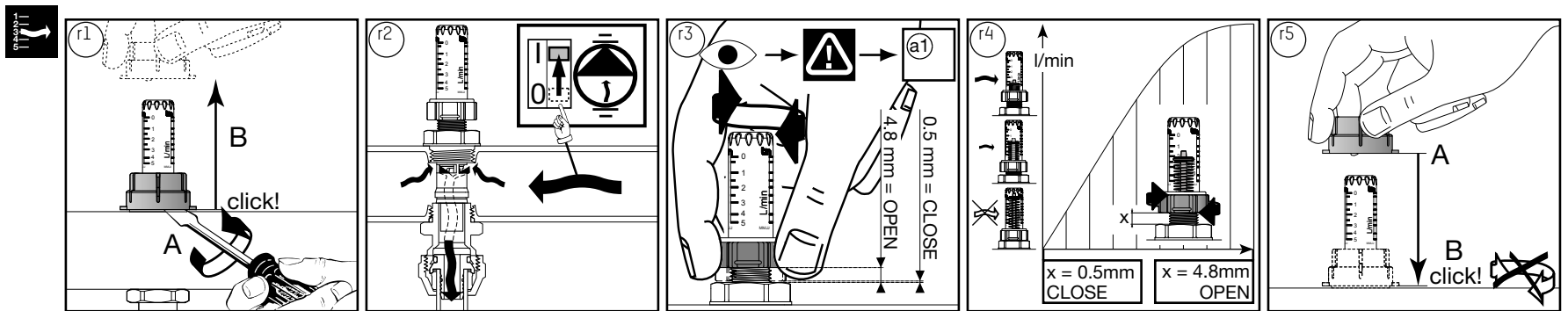


DN	G	24
15	1/2"	

TB	-10...70°C	
PB	6 bar	





298.2317.000	0...2.5 l/min
298.2316.000	0...5 l/min
298.2318.000	0...6 l/min
298.2319.000	0...8 l/min