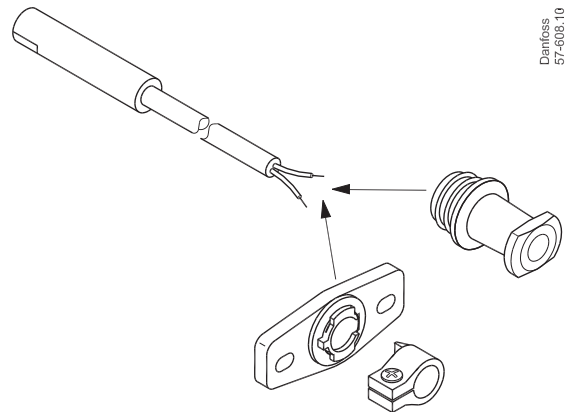
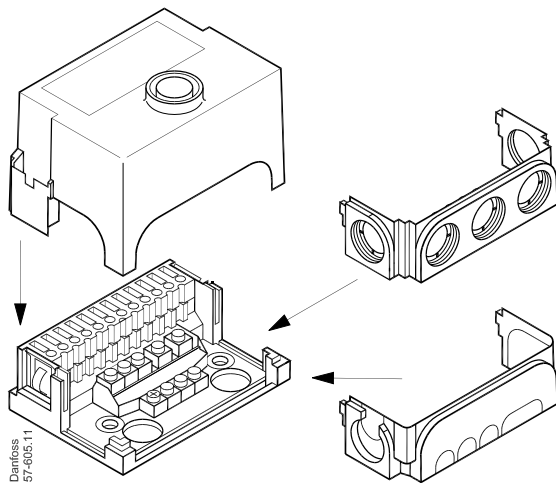
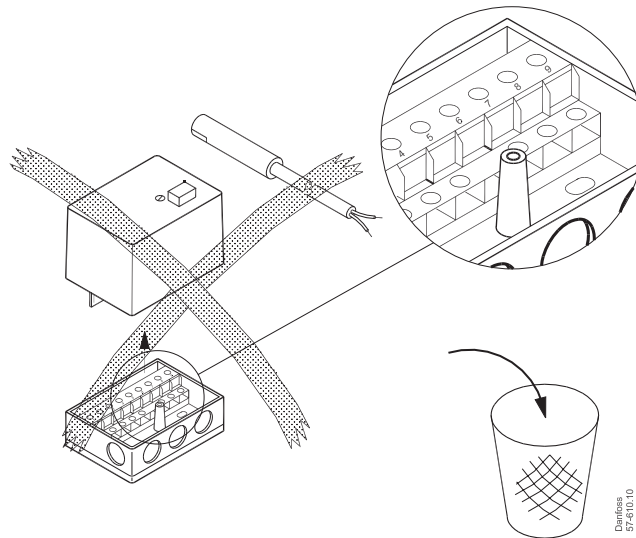


Installation Guide

Service Kit OBC 80 series

BHO (9 terminals)

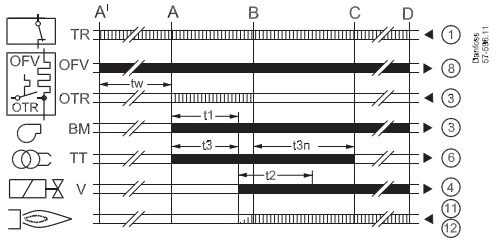
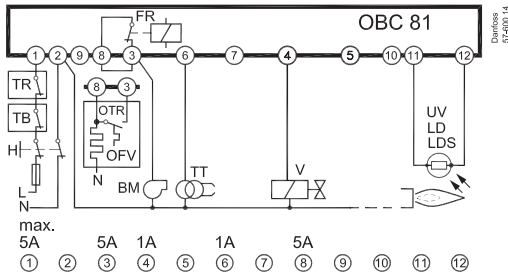


Content - Service Kit 057H7224

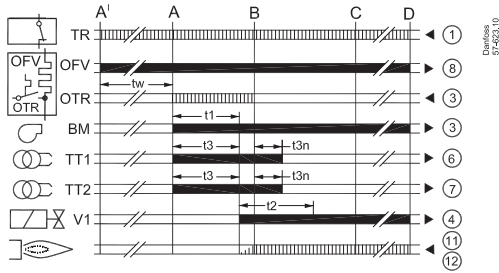
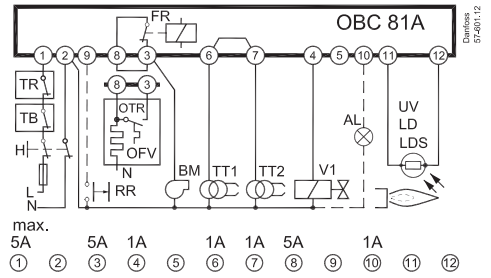
	057H7010
	057H7011
	057H7012
	057H7087
	057H7071
	057H7072
	-

Installation Guide Service Kit OBC 80 series

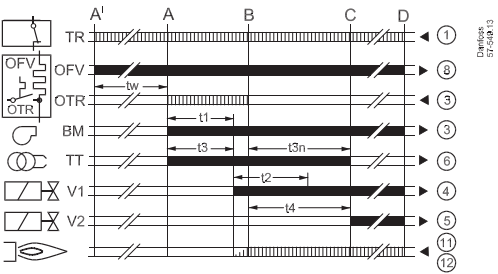
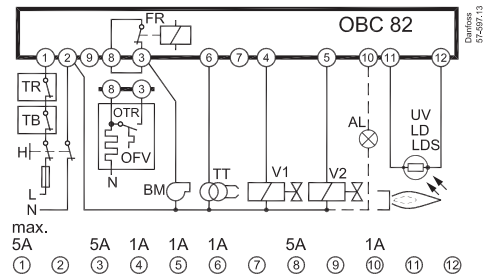
OBC 81



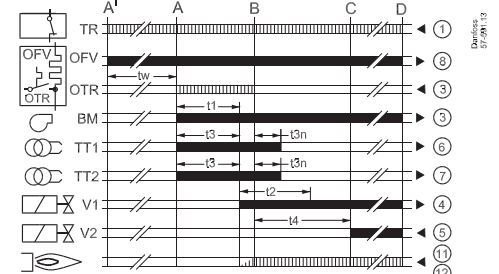
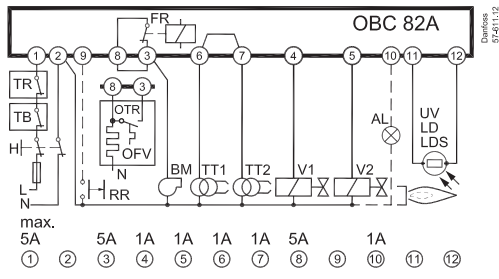
OBC 81A



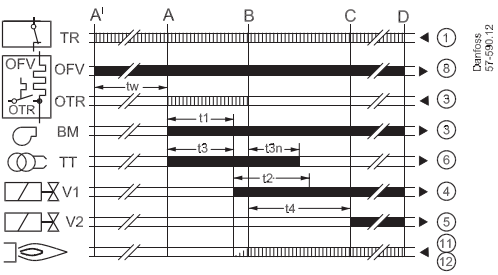
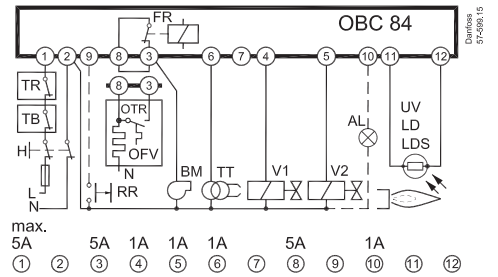
OBC 82



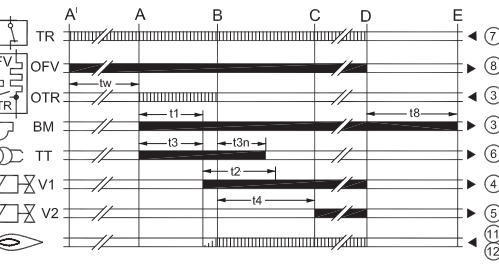
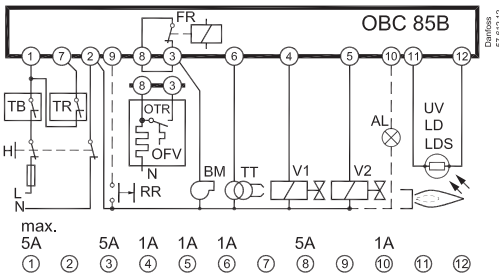
OBC 82A



OBC 84



OBC 85B



Danfoss can accept no responsibility for possible errors in catalogues, brochures and other printed material. Danfoss reserves the right to alter its products without notice. This also applies to products already on order provided that such alterations can be made without consequential changes being necessary in specifications already agreed. All trademarks in this material are property of the respective companies. Danfoss and the Danfoss logotype are trademarks of Danfoss A/S. All rights reserved.