

**Product:** KLUDI LOGO 3 S handshower DN 15

**Ref.:** 6830005-00

**Product description**

handshower DN 15  
 flow class B  
 with cleaning system  
 adjustable to 3 spray patterns  
 Volumen, Booster, Smooth  
 connection G 1/2

Finishes:  
 05 chrome

**Product picture**

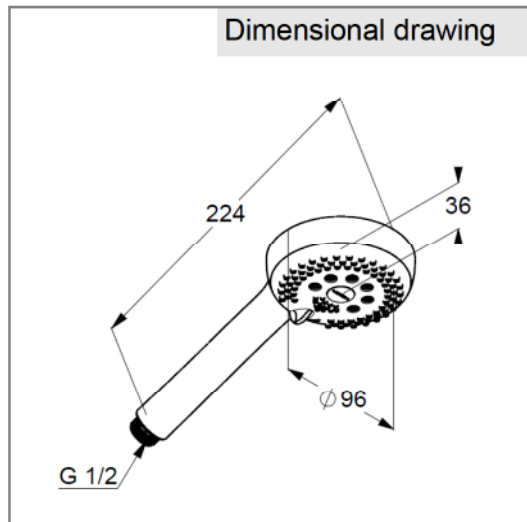


**Advertisement**

- \* KLUDI GmbH & Co KG KLUDI LOGO 3 S handshower item no. 6830005-00
- \*\* chrome plated, DIN EN 248
- \*\*\* DIN EN 1112

handshower, manufacturer KLUDI GmbH & Co KG KLUDI LOGO 3 S handshower item no. 6830005-00, DN 15, chrome plated, flow class B, cleaning system, adjustable to 3 spray patterns: Volumen Booster and Smooth, connection 1/2 inch, diameter shower head  $\varnothing$  96 mm, length 224 mm, for pressure type water heater, for continuous line heater, PN 5,

**Dimensional drawing**



**Flow rate diagram**

