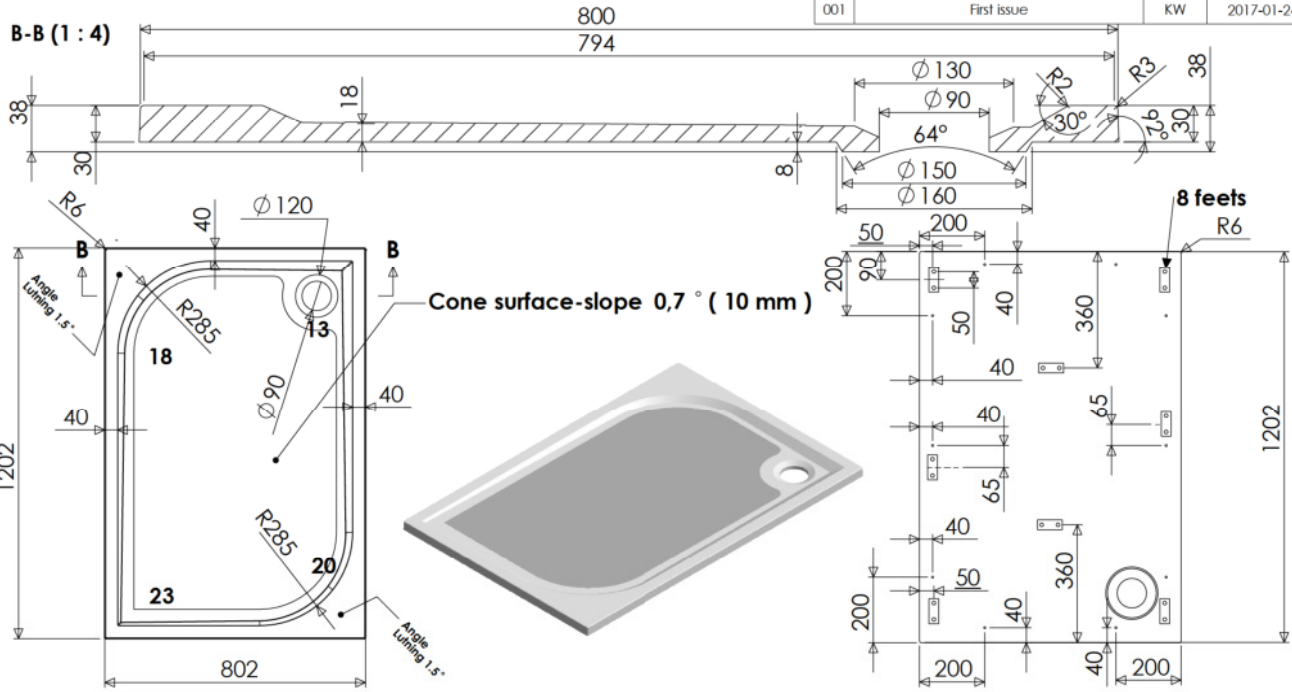


PROPRIETARY AND CONFIDENTIAL
 THE INFORMATION CONTAINED IN THIS DRAWING IS THE SOLE PROPERTY OF MUSCLE MACHINE AB.
 ANY REPRODUCTION IN PART OR AS A WHOLE WITHOUT THE WRITTEN PERMISSION OF MUSCLE MACHINE AB IS PROHIBITED.

B-B (1 : 4)



Rev	Design Change Note	Author	Date
001	First issue	KW	2017-01-24

DR	DR	Scale	2011-03-09	WS WEINMANN	1200 x 800
----	----	-------	------------	-------------	------------

Tolerance length	+3/-0 mm
Tolerance length granite	+1,5/-1,5 mm
Tolerance plane bending	+3/-3 mm

1:15