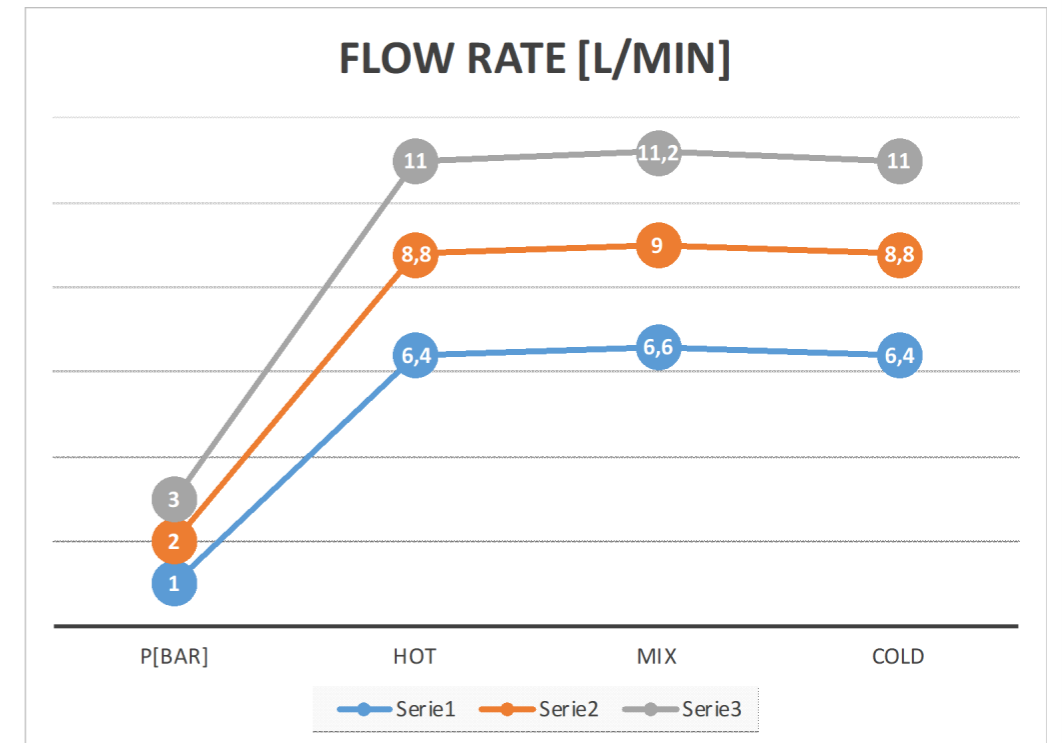
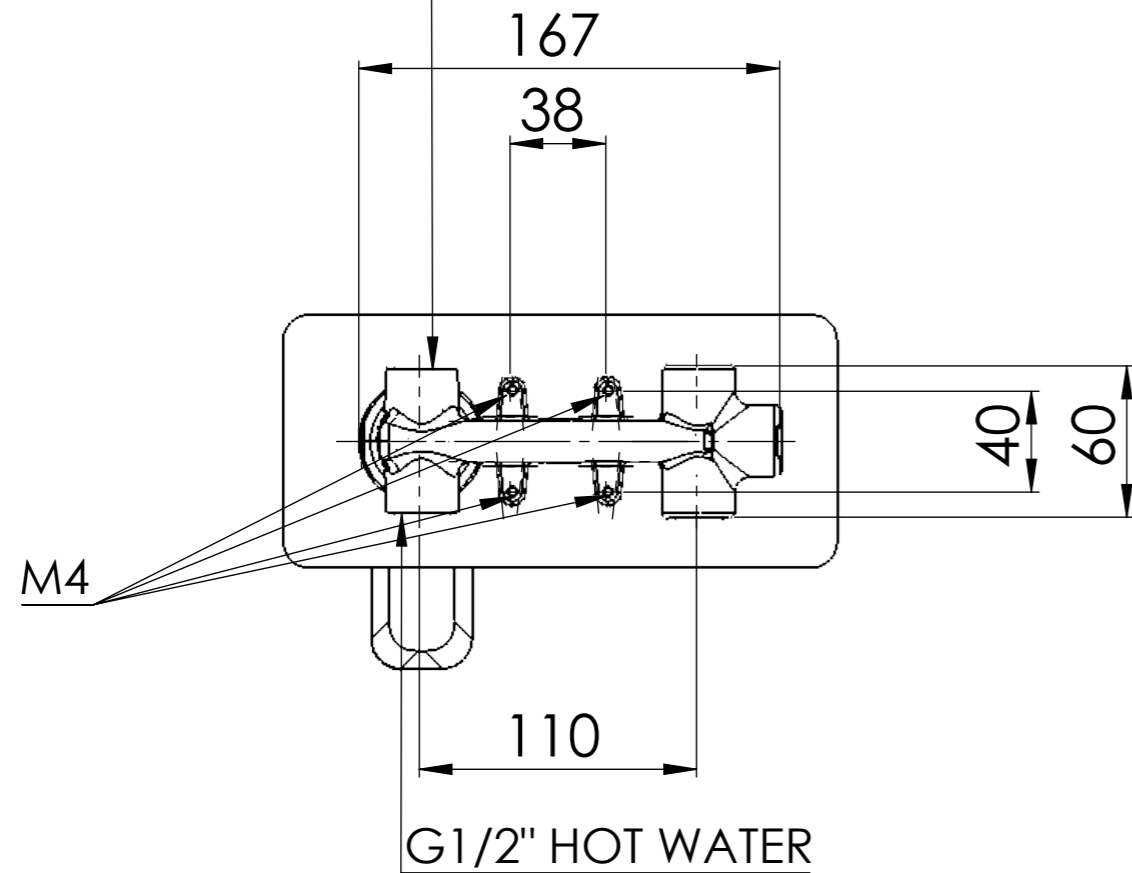


min. 29  
max. 50

PROFONDITA' DI ALLOGGIAMENTO  
COMPRESIVA DI RIVESTIMENTO

DEPTH HOUSING INCLUDING COATING

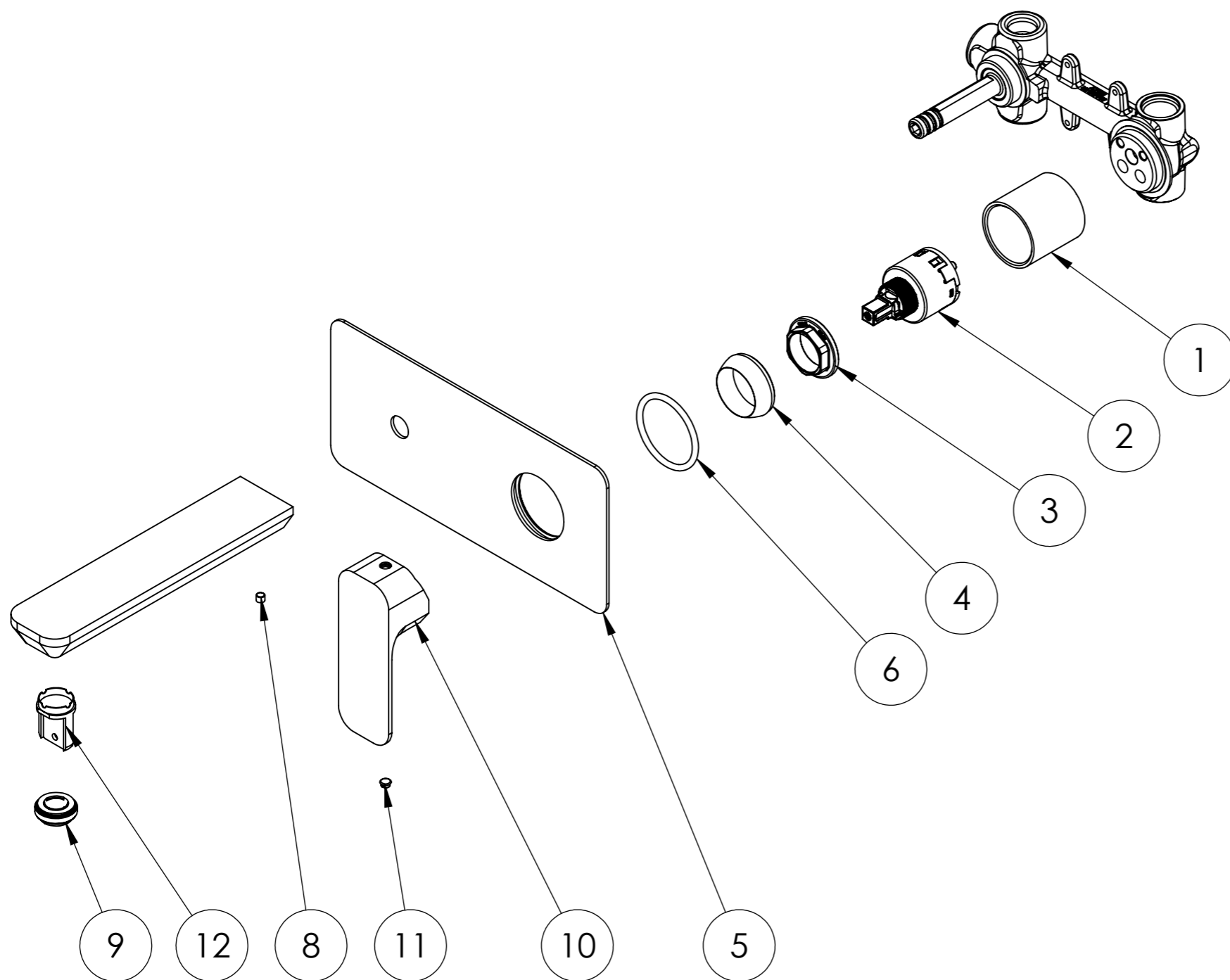
G 1/2" COLD WATER



Data: 04/03/2021

Cod. : 9306449

Apice  
A



Num. articolo	cod. REMER	cod. DANIEL
1	R9BC	CR3602GH
2	R52	A825
3	NGH	NGHT
4	CAW10	CAW10
5	AU15RO	AU15RO
6	OR4087353	OR4087353
7	CRTA632BO	CRTA632BO
8	GR54P	GR5X4P
9	83Z40	A803FLAT
10	MATA	TA630
11	TAMAD	TAMAD
12	83Z40C	A803KEYFLAT

Data: 04/03/2021

Cod. : 9306449

Apice  
A