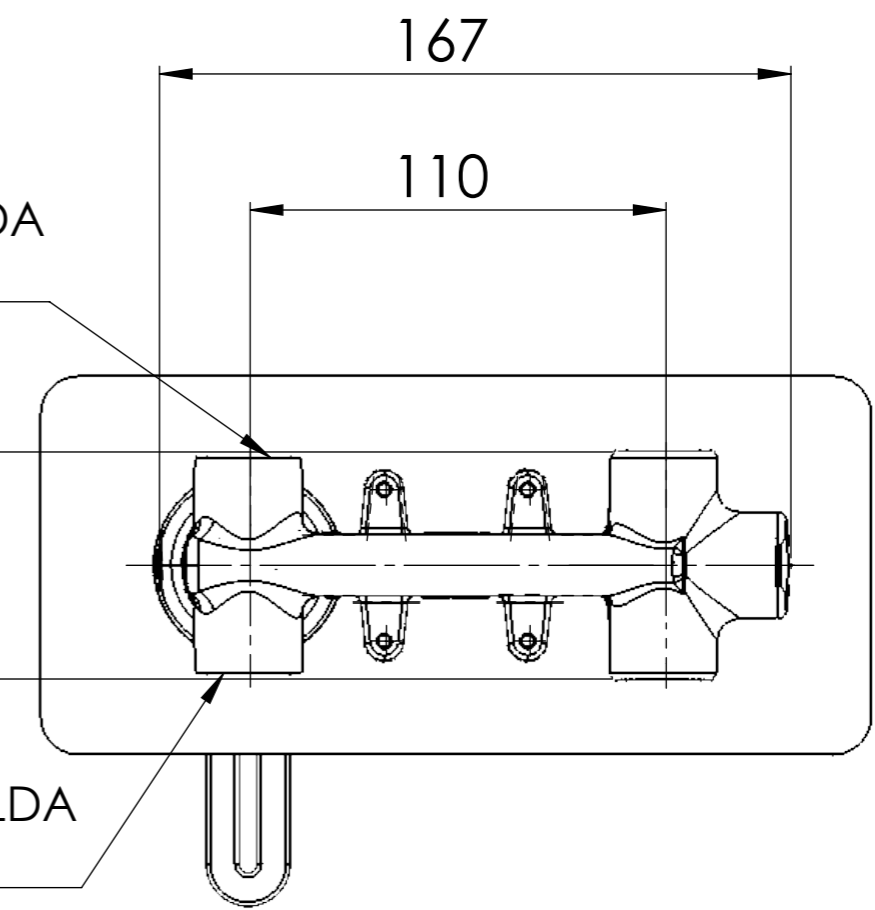
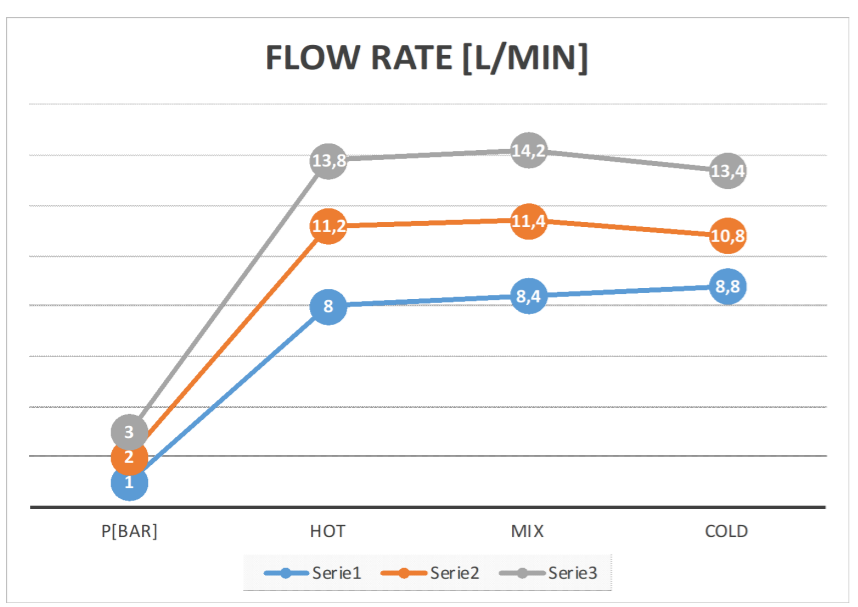


G 1/2"  
ACQUA FREDDA  
COLD WATER

G1/2"  
ACQUA CALDA  
HOT WATER



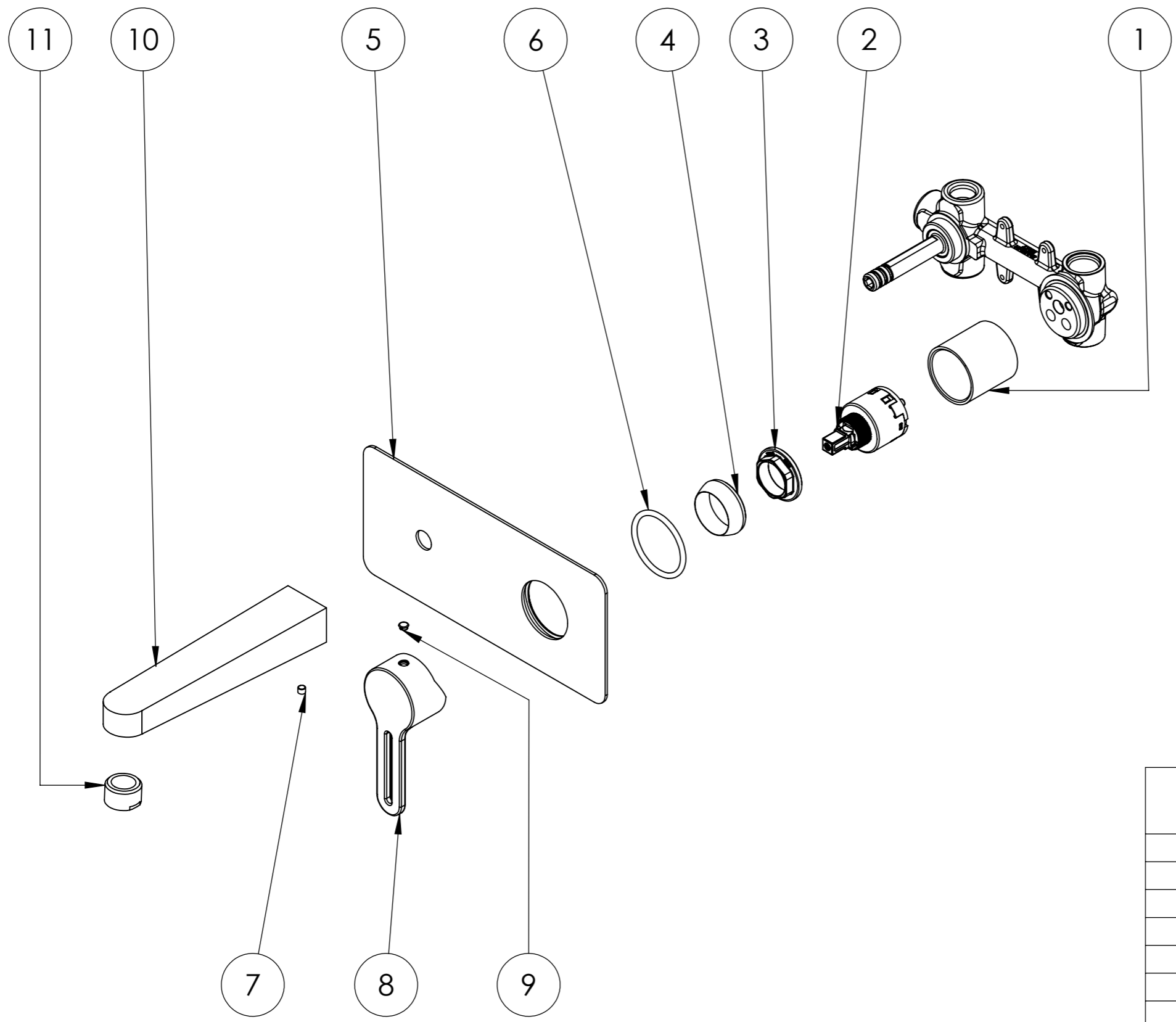
FLOW RATE [L/MIN]



Data: 04/03/2021

Cod. **.9316131**

Apice  
A



Num. articolo	cod. REMER	cod. DANIEL
1	R9BC	CR3602GH
2	R52	A825
3	NGH	NGHT
4	CAW10	CAW10
5	AU15RO	AU15RO
6	OR4087353	OR4087353
7	GR54P	GR5X4P
8	MASR45	SR63045
9	TAMAD	TAMAD
10	L15BO2	OM632BO
11	83A	A803CR

Data: 04/03/2021

Cod. : 9316131

Apice  
A