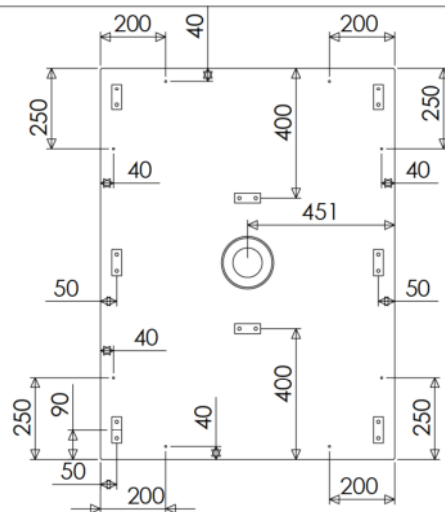
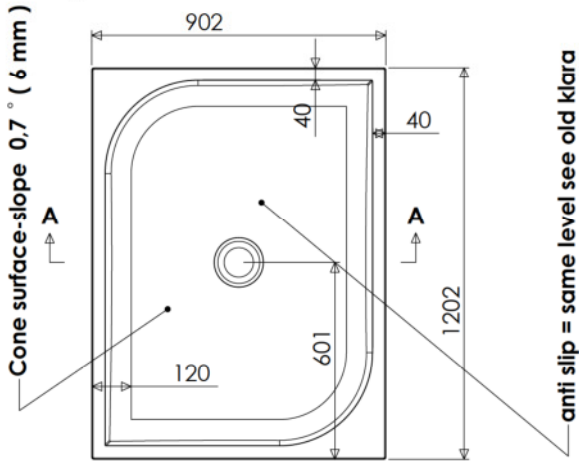
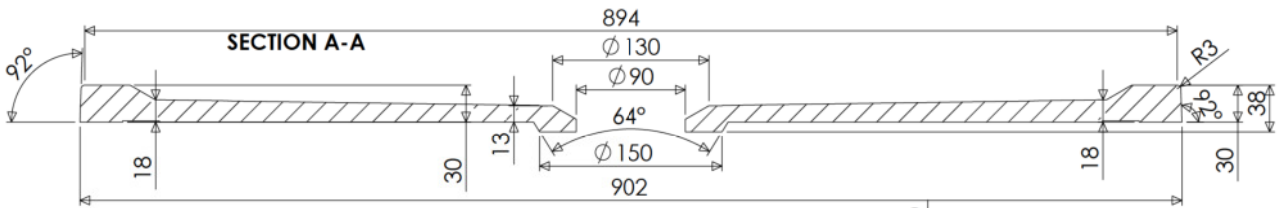


PROPRIETARY AND CONFIDENTIAL
 THE INFORMATION CONTAINED IN THIS DRAWING IS THE SOLE PROPERTY OF MUSCLE MACHINE AB.
 ANY REPRODUCTION IN PART OR AS A WHOLE WITHOUT THE WRITTEN PERMISSION OF MUSCLE MACHINE AB IS PROHIBITED.



Tolerance length/width	+5/0 mm
Tolerance height	+2/-2 mm
Tolerance plane bending	<1200 mm +2/-2 mm ≥1200 mm +3/-3 mm
Tolerance thickness	+2/-2 mm
Tolerance grinding	+2/0 mm
Tolerance feet location	+7/-7 mm
Tolerance holes location	+2/-2 mm
Tolerance holes diameter	+1/-1 mm

DR	DR	Scale	1:10	2011-05-19	1202 x 902
				EBBY 1200x900	
				6235561230xx	1:5