

1

2

3

4

A

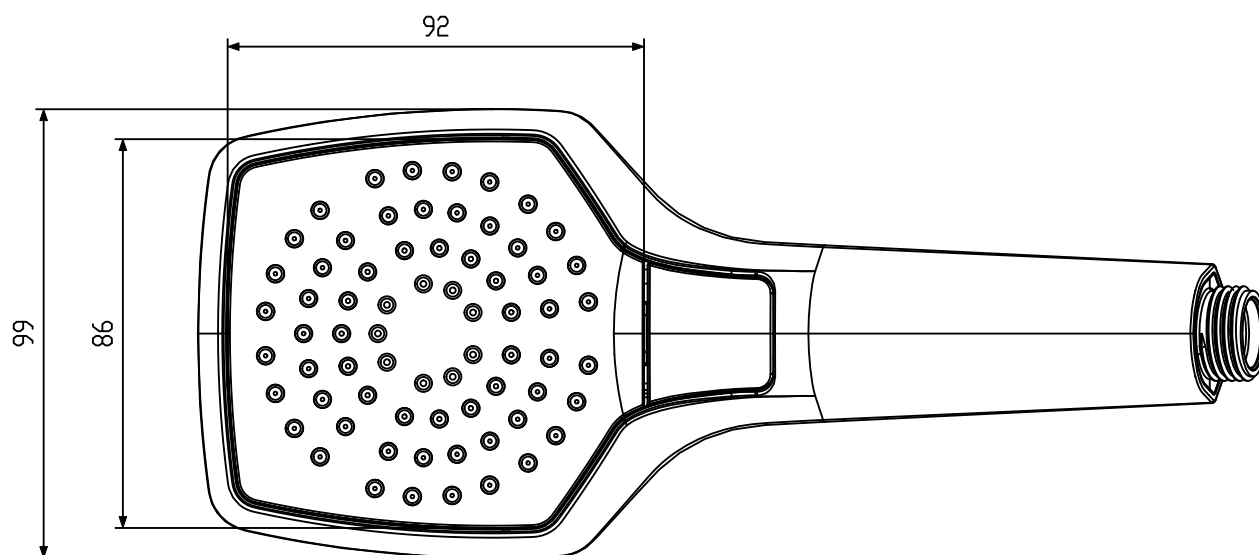
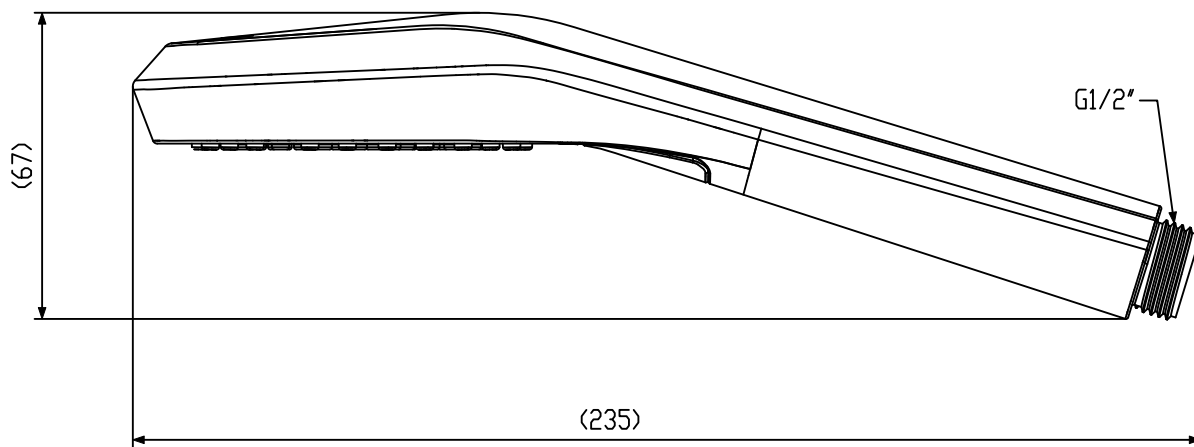
B

C

D

E

F



DESCRIZIONE/Description  
Handshower "Karina" CR

COMPLESSIVO/Assembly  
16562 [107801]

DISEGNO N° / Drawing n°  
16562

Codice/Code  
16562

TOLLERANZE GENERALI  
General tolerances

c

-

b

-

a

-

REV.

MODIFICA/Modification

Date

Name

MATERIALE/Material

ABS

DATA/Date

26/10/2021

SCALA/Scale

1:1

DISEGNATO/Drawn by

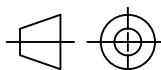
L.S.

PESO/Weight

-

FOGLIO/Sheet

1 / 1



**sanicro**

Confidential document. No reproduction or distribution is allowed without previous authorization of Wilden srl

1

2

3

297.0 x 210.0