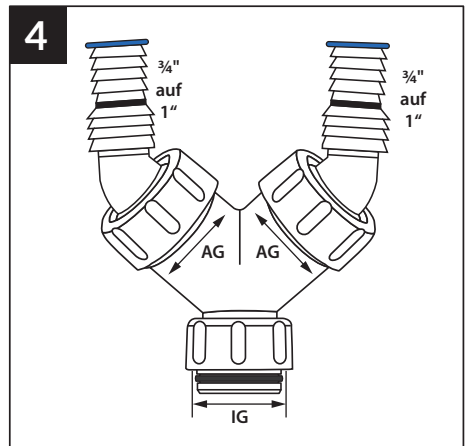
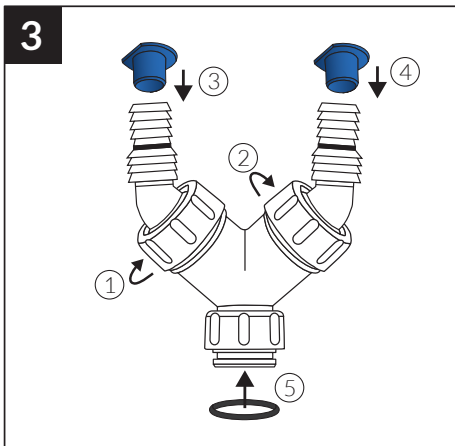
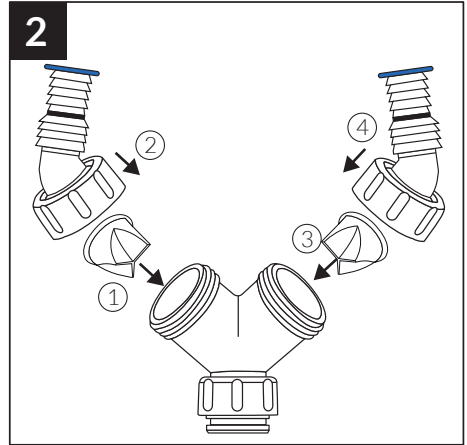
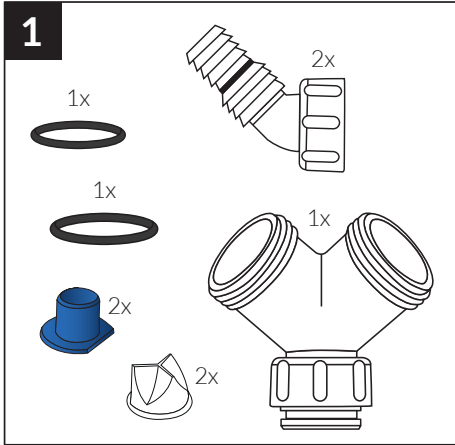




Art. 4063

Art. 4059



AG = 1"
IG = 1"