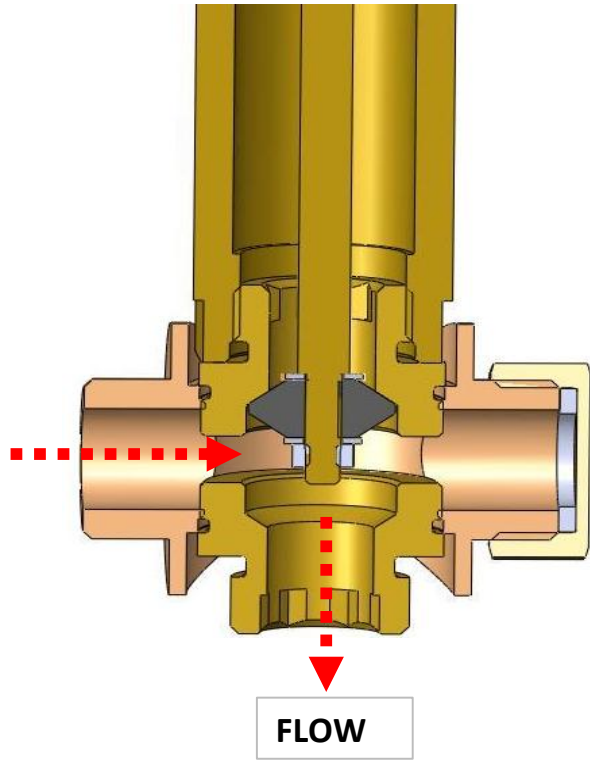
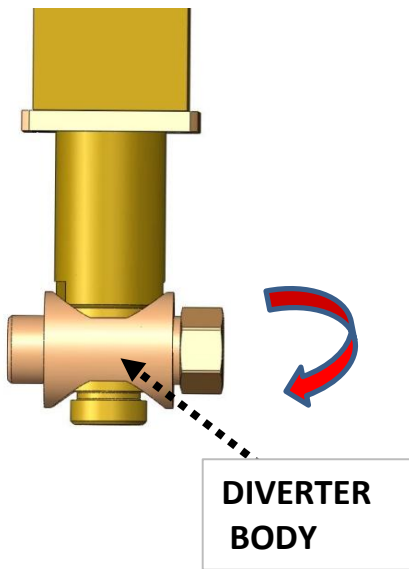


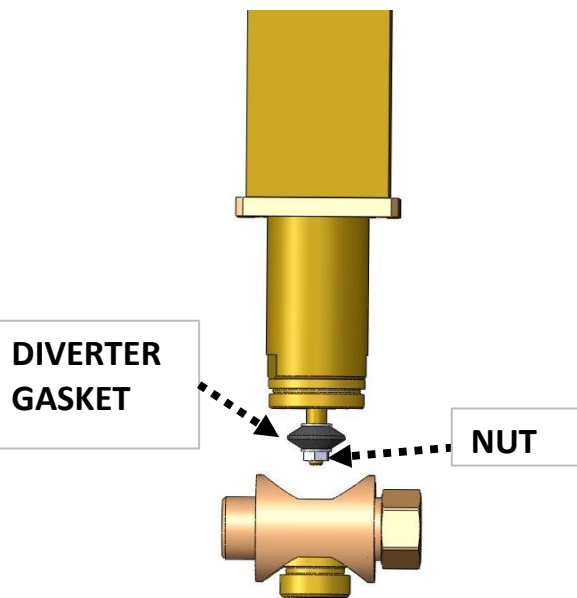
**DIVERTER TO BATH :  
DOWN POSITION OF THE GASKET**



**DIVERTER TO HANDSHOWER :  
UP POSITION OF THE GASKET**



**1) UNSCREW THE  
DIVERTER BODY  
TURNING IT  
ANTICLOCKWISE**



**2) UNSCREW THE NUT AND  
REPLACE THE DIVERTER GASKET**