

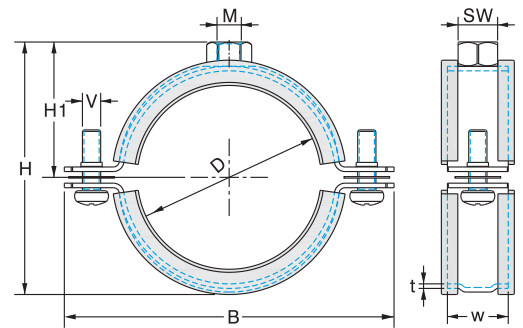
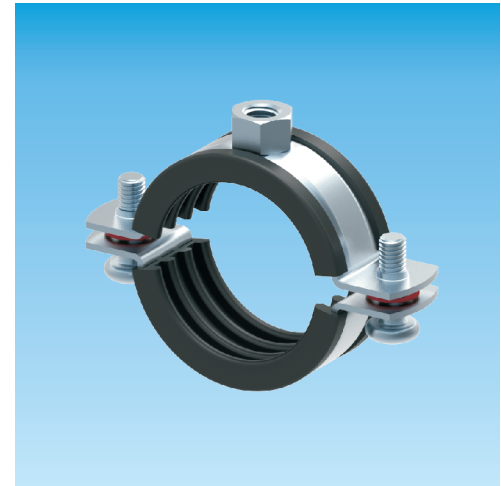
Two Screws Pipe Clamp W/ Lining, Classic Type

Advantages / Benefits

- Suitable for fixing of drinking and heating water pipe lines.
- **Tried and trusted clamp in a two piece design.**
- The two lock bolts allow adjustment to accommodate varying pipe diameters.
- Lock screw with captive plastic washer to prevent loss.
- Combination nut for cost-effective and flexibility at the construction site.
- Solid design with reinforcement band rib.
- Strong sound insulation insert for firm fit.

Technical Data

- Material: Steel 1.0332 acc. to DIN EN 10111
- Zinc plating: Electro zinc plated, 8–12 µm
- Sound absorption lining: EPDM; chlorine-free; silicone-free
- Noise reduction: According to DIN 4109
- Temperature resistance: -50°C to +110°C
- EPDM hardness: 45° +/- 5° Shore-A
- Fire behaviour: Class B2 according to DIN 4102



| Article Number | Clamping Range D | | Connecting Thread | Dimensions in mm | | | | | | Pack Size (pcs) | Max. Rec. Load (N) |
|----------------|------------------|-------|-------------------|------------------|-----|-----|----|----|-------|-----------------|--------------------|
| | mm | inch | | w x t | B | H | H1 | SW | V | | |
| 89 023 85 | 12-14 | 1/4 | M8 | 20x1,2 | 54 | 33 | 20 | 13 | M6x16 | 150 | 1300 |
| 89 023 86 | 15-19 | 3/8 | M8 | 20x1,2 | 59 | 37 | 22 | 13 | M6x16 | 150 | 1300 |
| 89 023 87 | 20-23 | 1/2 | M8 | 20x1,2 | 63 | 41 | 24 | 13 | M6x16 | 100 | 1300 |
| 89 023 88 | 25-28 | 3/4 | M8 | 20x1,2 | 69 | 46 | 27 | 13 | M6x16 | 100 | 1300 |
| 89 023 89 | 32-35 | 1 | M8 | 20x1,2 | 76 | 53 | 30 | 13 | M6x16 | 100 | 1300 |
| 89 023 90 | 40-43 | 1 1/4 | M8 | 20x1,2 | 84 | 62 | 35 | 13 | M6x20 | 50 | 1300 |
| 89 023 91 | 44-49 | 1 1/2 | M8 | 20x1,5 | 90 | 68 | 38 | 13 | M6x20 | 50 | 1500 |
| 89 023 92 | 57-61 | 2 | M8/M10 | 20x1,5 | 108 | 92 | 54 | 13 | M6x20 | 50 | 1500 |
| 89 023 93 | 63-67 | - | M8/M10 | 20x1,5 | 114 | 98 | 57 | 13 | M6x20 | 50 | 1500 |
| 89 023 94 | 74-80 | 2 1/2 | M8/M10 | 20x1,5 | 127 | 111 | 64 | 13 | M6x20 | 50 | 1500 |
| 89 023 95 | 83-91 | 3 | M8/M10 | 20x1,5 | 138 | 122 | 69 | 13 | M6x20 | 50 | 1500 |
| 89 023 96 | 108-114 | 4 | M8/M10 | 25x2,0 | 168 | 148 | 82 | 13 | M8x25 | 25 | 2300 |