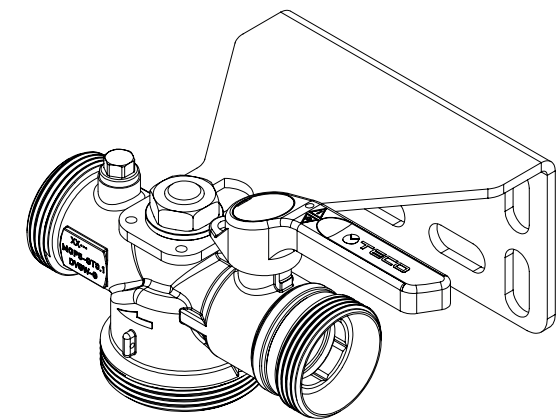


100-120

Body: hot pressed brass CW617N
 Surface finishing: sandblasted
 Ball: **Brassed**
 Ball Seals: PTFE
 Handle: **Yellow Aluminium with locking device**
 Thermo activated safety device Firebag®: cartridge installed into the valve Inlet
 Excess flow valve GST®: cartridge installed into the valve Inlet



TECHNICAL SPECIFICATIONS

reference standard valve:	EN 331 - DIN 3376-2
working pressure:	MOP 5
working temperature:	-20 °C +60 °C
heat resistance:	HTB GT1 650 °C x 30'
heat resistance with FIREBAG®:	HTB GT5 650 °C x 30'
intervention temp. FIREBAG®:	100 °C - 5K
Connections:	ISO 228 for conical fitting according to DIN 3439
fields of use:	for all types of Gas as specified in EN 437 and DVGW G260/1 (methane, butane, propane).



according to EN 331
 DG-4350C00169

COD.	DN	D1	D2	H1	H2	L1	L2	M	SW1
G61306L100	25	G2"	G1"3/8	41	52	136	40	82	12
G62306L100	25	G2"	G1"3/8	41	52	136	40	82	12
G63306L200	25	G2"	G1"3/8	41	52	136	40	82	12
G63306L300	25	G2"	G1"3/8	41	52	136	40	82	12
G63306L400	25	G2"	G1"3/8	41	52	136	40	82	12

	Denominazione / Designation	Codice / Code	Rev.	Data / Date
	Gas shut-off ball valves for single-pipe meters M/M	ST_G6004		02/01/2017

Il presente disegno a termini di legge non può essere reso pubblico o riprodotto senza la nostra autorizzazione / this drawing to the law can not be published or reproduced without our permission © 2012 TECO s.r.l.