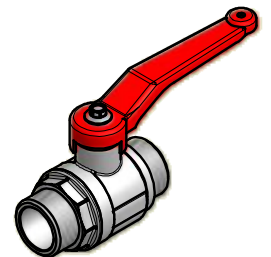
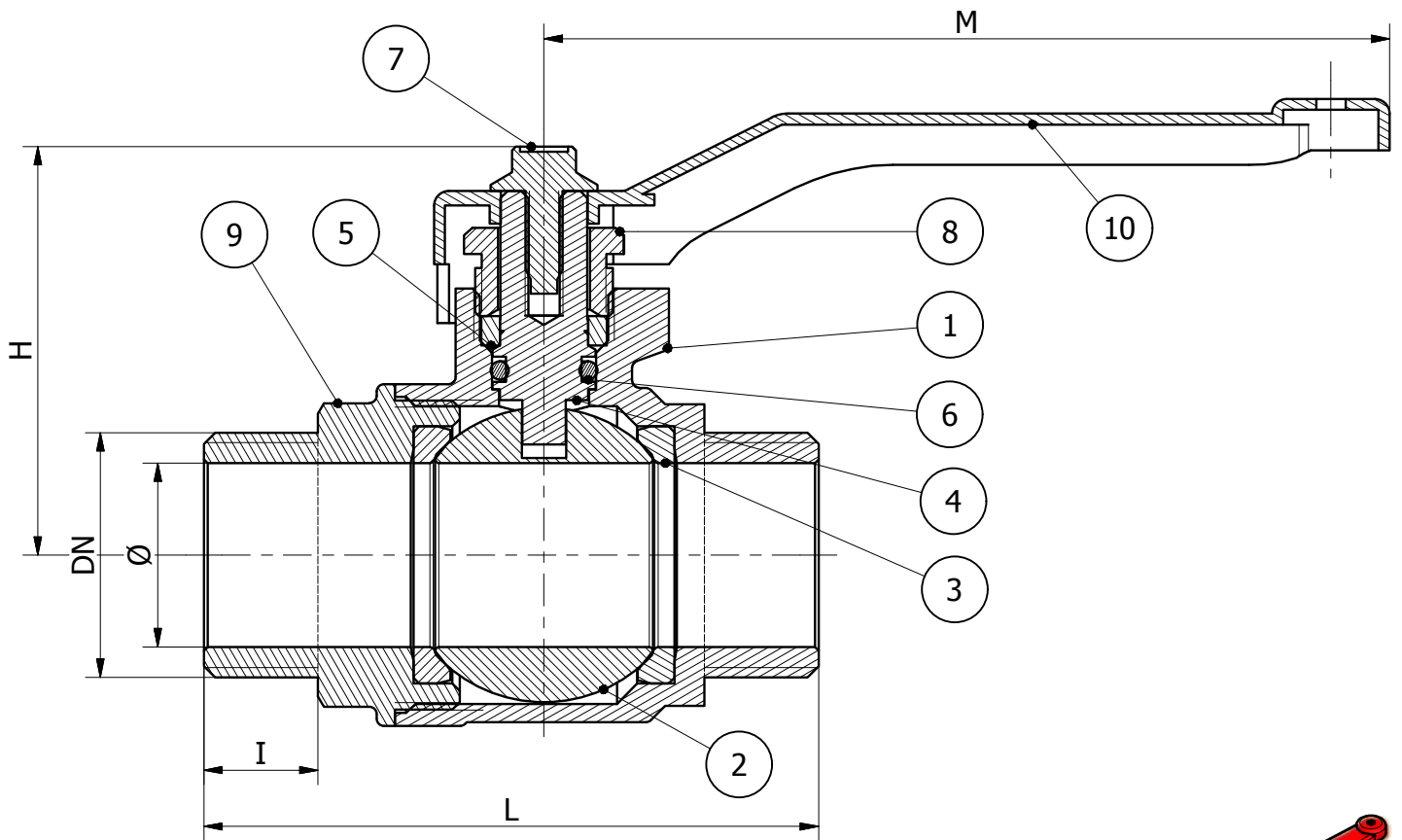


# ART. 80



| DN | 1/4" | 3/8" | 1/2" | 3/4" | 1"   | 1"1/4" | 1"1/2" | 2"   |
|----|------|------|------|------|------|--------|--------|------|
| L  | 62   | 52   | 66   | 73   | 83   | 98     | 107    | 112  |
| Ø  | 10   | 10   | 15   | 20   | 25   | 32     | 39     | 48   |
| I  | 11.5 | 11.5 | 14   | 16   | 17   | 18     | 19     | 21   |
| H  | 43   | 43   | 44.5 | 49   | 55.5 | 72     | 77     | 83.5 |
| M  | 92   | 92   | 92   | 92   | 115  | 150    | 150    | 150  |
| PN | 40   |      |      |      |      |        |        |      |

**IN ACCORDING TO DIRECTIVE 97/23/CE TAB. 6**

| Ref. | Parts   | Material       | Q.ty |
|------|---------|----------------|------|
| 1    | Body    | EN12420-CW617N | 1    |
| 2    | ball    | EN12164-CW614N | 1    |
| 3    | Seat    | P.T.F.E.       | 2    |
| 4    | Pushrod | EN12164-CW614N | 1    |
| 5    | Gasket  | P.T.F.E.       | 1    |
| 6    | O-Ring  | FPM (Viton)    | 1    |
| 7    | Screw   | UNI 7356-CB4FF | 1    |
| 8    | Nut     | EN12164-CW614N | 1    |
| 9    | Sleeve  | EN12420-CW617N | 1    |
| 10   | Lever   | EN1011-DD13    | 1    |

## STANDARD VALVE FEATURES

Working temperature : MIN. -10°C MAX. +100 °C  
 Max pressure : 40 bar  
 Threaded ends : ISO 228/1

## SPECIAL EXECUTIONS ON REQUEST

O-Ring in : FP/EPDM/SILICONE/HNBR    Seats: PTFE + 25% CARBOGRAPYTE/  
 Valve : CR brass material                      PTFE + 25%GLASS  
 Ball: AISI 316 steel/Cr brass/teflon ball    Personal lever

We don't assume the responsibility if you use products which are not consistent with the material used for the construction of our valves.

To be used as a guide only, IDROSFER reserve the right to change these data without notice.