

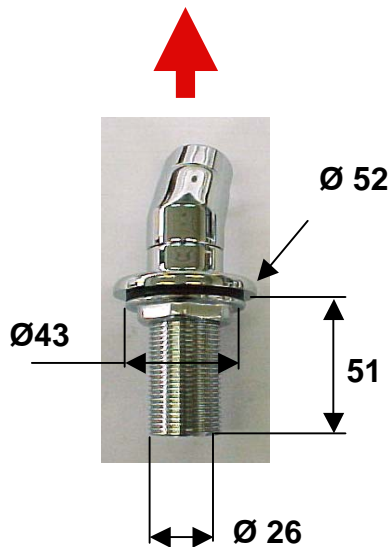
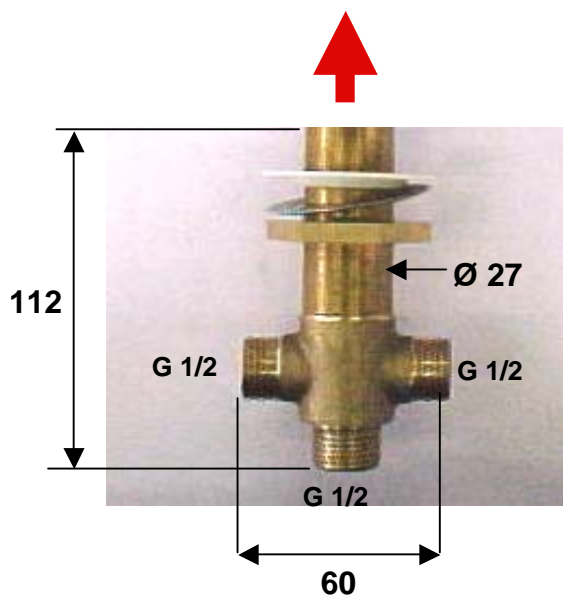


DANIEL

SCHEDA TECNICA TECHNICAL FEATURES

ART. COD.

V4192



MATERIALI / MATERIALS

OTTONE / BRASS

CROMATURA / CHROME PLATING

UNI EN 248